

Lokotrack ST3.5 mobile screen

Efficiency and reliability in screening

Mining and Construction Technology main contacts

AUSTRALIA AND NEW ZEALAND

Metso Minerals (Australia) Ltd
1110 Hay Street
West Perth, WA 6005
Australia
Phone: +61 8 9420 5555
Fax: +61 8 9320 2500

CHINA

Metso Minerals (Beijing) Ltd
19/F, The Exchange Beijing, Tower 4
No. 118 Jian Guo Lu Yi Chaoyang District
100022 Beijing
China
Phone: +86 10 6566 6600
Fax: +86 10 6566 2583

EUROPE, MIDDLE EAST AND AFRICA

Metso Minerals España, S.A.
C/ Rivas N° 4
28032 Madrid
Spain
Phone: +34 91 825 5700
Fax: +34 91 825 5740

INDIA AND ASIA-PACIFIC

Metso Minerals (India) Pvt Ltd
1st Floor, DLF Building No. 10,
Tower A, DLF Cybercity
DLF Phase II
Gurgaon 122002
India
Phone: +91 124 235 1541
Fax: +91 124 235 1601

NORTH AND CENTRAL AMERICA

Metso Minerals Industries Inc.
20965 Crossroads Circle
Waukesha, WI 53186
U.S.A.
Phone: +1 262 717 2500
Fax: +1 262 717 2504

RUSSIA AND OTHER CIS COUNTRIES

ZAO Metso Minerals (CIS)
V.O. Liniya, 70
199178 St. Petersburg
Russia
Phone: +7 812 740 3040
Fax: +7 812 740 5775

SOUTH AMERICA

Metso Minerals Indústria e Comércio Ltda
Avenida Independência, 2500 - Éden
18087-050 Sorocaba
Brazil
Phone: +55 15 2102 1300
Fax: +55 15 2102 1696

METSO'S MINING AND CONSTRUCTION TECHNOLOGY

Lokomonkatu 3, P.O.Box 306
FI-33101 Tampere
Finland
Phone: +358 20 484 142
Fax: +358 20 484 143

Metso's Mining and Construction crushing equipment

Product families:

Unit crushers

- C series jaw crushers
- Primary gyratory crushers
- GP series cone crushers
- HP series cone crushers
- MP series cone crushers
- NP series horizontal impact crushers
- Barmac series vertical impact crushers
- Nordberg laboratory crushers

Mobile crushing plants

- Lokotrack LT series track-mounted crushing plants
- Nordberg NW series wheel-mounted crushing plants

Stationary crushing plants

- Complete plants for aggregate production
- Complete plants for recycling applications

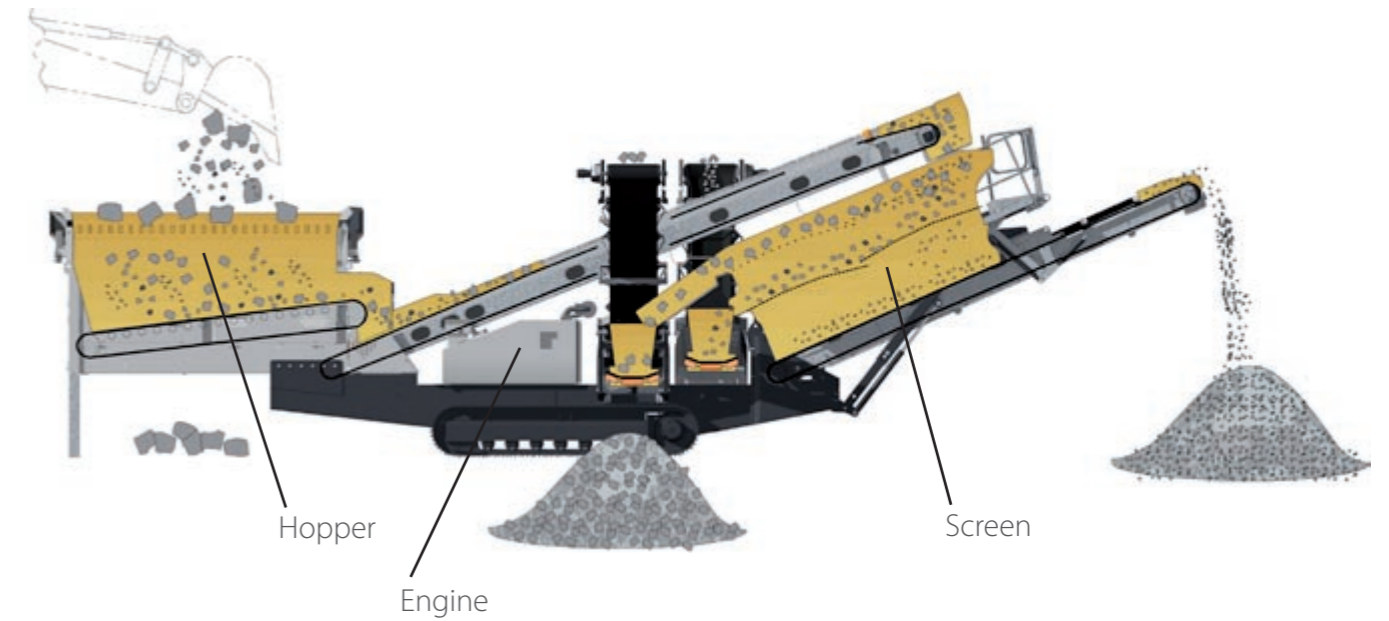


All Metso Minerals Oy Tampere Works equipment is produced in accordance with a quality assurance system that complies with the ISO 9001 standard, as certified by DNV Certification Oy.



www.metso.com/miningandconstruction
minerals.info.csr@metso.com





The Lokotrack ST3.5 in a standalone set up, can easily be fed by either a loading shovel or excavator. In this mode the unit will produce 2-sized fractions or 3 with the addition of the optional vibrating grid. The product is equally well suited to process operations combining well with the Lokotrack mobile crushing units in either an open or closed circuit.

High screening performance combined with good mobility

For over twenty years now, Metso has pioneered the development of mobile crushing and screening equipment. Today, Metso remains at the cutting edge of mobile crushing and screening technology.

The Lokotrack mobile screens are designed for high screening performance combined with good mobility. Their excellent capacity and easy adaptability to different crushing and screening processes guarantee suitability for a wide range of quarrying and contracting applications.

A Product for all environments

The ST3.5 is the first of a new generation of mobile screens incorporating a new type of cooling system to the Metso unit enabling the unit to work at higher ambient temperatures than previous models. Another area of improvement is the repositioned air filter which is now protected by the engine canopy from the areas of potential high dust. The product also benefits from a more efficient hydraulic system than its predecessor leading to a significantly lower fuel consumption.

Setting the industry standard

Lokotrack ST Series mobile screens today set the standard in product development and quality. The product range covers all screening applications from primary screening and accurate fine classification of aggregates to soil and recycled materials processing to one or multiple end products. The ST Series track-mounted mobile screens have heavy duty frames and proven

components to give long service life from a wide range of media to accurately create end product fractions in most demanding screening jobs.

The Lokotrack ST3.5 track-mounted mobile screening plant is designed for small to medium-sized contractors and aggregate producers. The unit provides efficient screening, multiple end products and high mobility.



Unit components		
Screen		
Number of decks	2	
Screen box size	3580 mm x 1500 mm	(11'7" x 5')
Screen area / top deck	5.3 m ²	(6.3 yd ²)
Hopper & Conveyors		
Hopper capacity	5.5 m ³	(7.2 yd ³)
Loading height with grid	3290 mm	(10'9")
Conveyor discharge heights:		
Undersize conveyor	3860 mm	(12'6")
Product conveyors	3860 mm	(12'6")
Engine		
Engine manufacturer/model	Caterpillar C4.4	
Power	74.9 kW	(100 hp)
Transport dimensions		
Width	3000 mm	(9'6")
Height	3460 mm	(11'3")
Length	14350 mm	(47'1")
Weight	23230 kg	(51,100 lbs)

Benefits

- High-capacity 3580 mm x 1500 mm (11'7" x 5') screen box
- Proven 2-bearing screen with adjustable screen angle
- Easy access to all service points
- Easy transportation due to patented conveyor folding mechanism

Options

- Hydraulic tipping grid
- Radio remote control
- Side conveyor extensions
- Side walkways
- Main and undersize conveyor dust covers and sprinklers
- Light mast
- Block heater
- Off plant stacking conveyor connection
- LT/ST feedbox