

**KATO**

**SUPER  
EXCEED**

# HD2045Ⅲ

**FULLY HYDRAULIC EXCAVATOR**

*Bucket capacity: 1.4m<sup>3</sup> - 2.3m<sup>3</sup>(ISO)  
Engine output: 235kW/2,000min<sup>-1</sup>(ISO Net)  
Operating weight: 46,200kg*



Option specification

# *Powerful Machine Harmonized with*



# Your Demands



## High Power & Speedy Operation

Digging force Arm:

184kN (with High Power: 216kN)

Bucket: 247kN (with High Power: 276kN)

## Powerful New Engine

Max Output: 235kW/2,000min<sup>-1</sup>(ISO Net)

Max Torque: 1,245N·m/1,200min<sup>-1</sup>(ISO Net)

Comply with the latest emission control

## Durable Structure

Heavy duty reinforced front structure offers steady & durable operations

All around 360° well balanced operation with expandable square shape lower undercarriage

## High efficiency Cooling System

High performance radiator and aluminum oil cooler with easier access for cleaning to keep radiators fresh always

## Fatigue Free & Comfortable Cabin

Auto air conditioner

UV-cut glass

Mono piece big & wide side window

Wide range adjustable seating position

Anit-static-electricity fabric seat

## Easier Maintenances and More



# Technical Specifications

## ENGINE

Model	Mitsubishi 6D24-TLE2A, 4 cycle intercooler turbo charged diesel engine
Number of cylinders	6
Bore & Stroke	130mm × 150mm
Total displacement	11.94 L
Rated output	235kW/2,000min <sup>-1</sup> (ISO Net)
Max. torque	1,245N·m/1,200min <sup>-1</sup> (ISO Net)
Compression ratio	17.5:1
Combustion system	Direct injection
Specific fuel consumption	221g/kW-hour
Cooling system	Pressurized water circulated by a centrifugal pump with thermostat
Lubrication system	Pressurized oil fed by a gear pump through full-flow and bypass cartridge filter
Starter	Electric, 24V-7.0kW
Generator	Alternator, 24V-50A
Governor	Electric
Air cleaner	Dry type filter

## HYDRAULIC SYSTEM

Pumps	Double variable piston pump and gear pump
Max. discharge flow	2×370L/min
Max. discharge pressure	24.9MPa
Max. discharge pressure (travel circuit only)	30.9MPa
Oil filtration	Full-flow filter with replaceable element, a drain cartridge filter, a pilot line filter and a suction strainer
Control valve	5+5 section multiple control valve (with one free service circuit)
Pilot pump	Gear type
Oil cooler	Finned tube, forced ventilation
Pressure relief valves	Primary and secondary on each circuit

## CAB & CONTROLS

Type	All weather sound suppressed, 1,000mm wide pressed steel cab mounted on 6 point viscourse mounting.
Right hand lever	Controls the boom & bucket
Inner right hand lever (with foot pedal)	Controls the right hand track
Inner left hand lever (with foot pedal)	Controls the left hand track
Left hand lever	Controls the arm & swing
Pilot control	Travel, boom, arm, bucket and swing
Engine throttle	Electric "Accel dial"
Meter & gauges	Hour meter, water temperature and fuel level
Monitor display	Engine oil pressure, engine oil filter, hydraulic oil filter, hydraulic oil temperature, water temperature, water level, fuel level, battery charge, APC monitor and air cleaner.
Indicator lamps	Caution lamp & Engine preheater indicator lamp & Engine diagnosis lamp
Working lights	Provided on the boom left side and mounted on the frame
Lubrication chart	Inside the tool box



● Option specification

## SWING SYSTEM

- Drive ..... Two axial piston motors with reduction gear.
- Brake ..... A hydraulic brake that locks automatically when the swing control lever is in the neutral position and a mechanical parking brake which is applied when the safety lock lever is pulled backwards, the engine is turned off or the swing control lever is in the neutral position.
- Lubrication ..... Completely housed and grease bathed
- Max. swing speed ..... 9.1min<sup>-1</sup>
- Tail swing radius ..... 3,625mm
- Min. front swing radius ..... 4,860mm

## SERVICE DATA

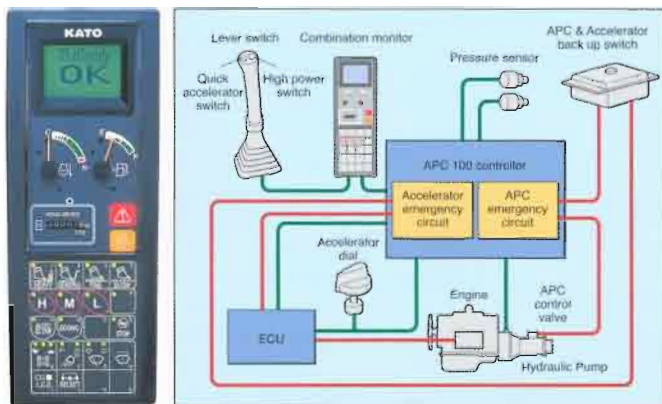
- Fuel tank ..... 605 L
- Cooling system ..... 49 L
- Engine oil ..... 49 L
- Track drives ..... 2×21 L
- Swing drive ..... 2×11.3 L
- Hydraulic oil tank (level) ..... 329 L
- (system) ..... 610 L
- In standard figure, with the 3.45m arm, 600mm grouser shoes and 2.0m<sup>3</sup>(ISO) bucket.
- Operating weight ..... 46,200kg
- Ground pressure ..... 82kPa

## BOOM, ARM AND BUCKET

- Boom cylinders ..... Two, double acting
- Bore & Stroke ..... 180mm × 1,683mm
- Arm cylinder ..... One, double acting
- Bore & Stroke ..... 190mm × 1,990mm
- Bucket cylinder ..... One, double acting
- Bore & Stroke ..... 170mm × 1,278mm
- Lubrication ..... Grease nipples, with centralized greasing for remote points
- Bucket digging force ..... 247kN
- (High power) ..... 276kN
- Arm digging force ..... 184kN
- (High power) ..... 216kN
- (High power can be used with STD arm and short arm)

## TRAVEL SYSTEM

- Drive ..... Independent axial piston motor with reduction for each side
- Brakes ..... Independent disk parking brake for each side, applied automatically when the travel levers are in the neutral position.
- Track shoes ..... 51 each side
- Track adjustment ..... Grease cylinders with recoil springs
- Lubrication ..... Sealed-for-life rollers and front idlers with floating seals
- Travel speed ..... High 0~5.0km/h
- Medium 0~3.0km/h
- Low 0~2.2km/h
- Gradeability ..... 70% (35°)
- Max. drawbar pull ..... 392kN
- Ground clearance (less grouser bar) ..... 700mm
- Track length ..... 5,260mm

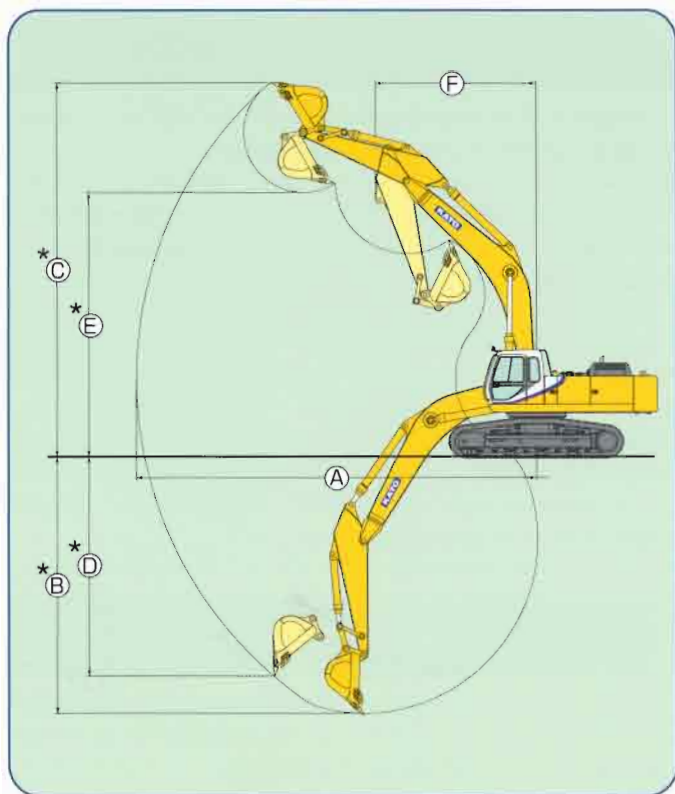


● Combination monitor  
● "APC" system



● Fire wall

## Working Ranges








(Unit : mm)

Range	Arm	Short Arm (2.95m)	STD Arm (3.45m)	Long Arm (4.95m)
(A)-Max. digging radius		11,640	12,080	13,430
* (B)-Max. digging depth		7,260	7,760	9,250
* (C)-Max. digging height		11,080	11,300	11,800
* (D)-Max. vertical wall		5,880	6,630	8,120
* (E)-Max. dumping height		7,800	7,970	8,480
(F)-Min. swing radius		5,050	4,860	4,840


\*Less grouser bar.

## Bucket

Type of bucket		Backhoe bucket					Skeleton bucket	Rock bucket	Ripper
Bucket capacity	m <sup>3</sup> , ISO	1.4	1.6	1.8	2.0	2.3	—	1.2	—
Bucket width	w/o side cutters, mm	1,180	1,310	1,440	1,550	1,770	1,670	1,070	—
	with side cutters, mm	1,290	1,420	1,550	1,660	1,880	—	1,200	—
Bucket weight	kg	1,400	1,510	1,605	1,780	1,790	1,930	1,870	1,290
Number of bucket teeth		4	5	5	5	5	5	5	1
Shape of bucket									
Standard boom +	Short arm	●	■	●	●	●	○	○	○
	Standard arm	●	●	●	●	▲	○	○	○
	Long arm	●	▲	×	×	×	×	×	×

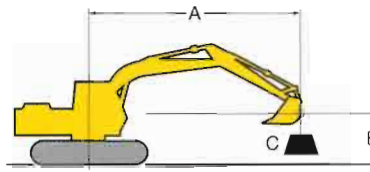
● General purpose ▲ Light work ○ Rock digging □ Loading ○ Usable × Unusable \*Usable only when 700mm shoe is fitted on.  
● Yellow colored area means standard.

## Track Shoes

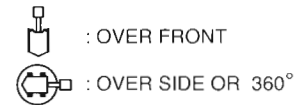
Type of shoes		Grouser shoe				
						
Shoe width	mm	600	700	760	800	910
Overall width	mm					
	Extended	3,580	3,680	3,740	3,780	3,890
	Retracted	3,200	3,200	3,260	3,300	3,410
Ground pressure	kPa	82	71	66	63	56
Net weight change	kg	S.T.D	+500	+1,100	+1,300	+1,900

● Yellow colored area means standard.

**Lifting Capacities**



A : REACH FROM SWING CENTERLINE  
 B : BUCKET HOOK HEIGHT  
 C : LIFTING CAPACITIES



HD2045III 600mm Shoe, 7.00m Boom, 3.45m Arm, 2.0m<sup>3</sup> Bucket (1,780kg)

Unit: 1,000kg

LIFT POINT HEIGHT B (m)	LIFT POINT RADIUS A (m)																AT MAXIMUM LIFT POINT RADIUS							
	2.00		3.00		4.00		5.00		6.00		7.00		8.00		9.00		10.00		m					
	Over Front	Over Side	Over Front	Over Side	Over Front	Over Side	Over Front	Over Side	Over Front	Over Side	Over Front	Over Side	Over Front	Over Side	Over Front	Over Side	Over Front	Over Side						
8.00														* 7.46	* 7.46							* 4.82	* 4.82	8.81
7.00														* 7.66	* 7.66	* 6.52	* 6.52					* 4.76	* 4.76	9.38
6.00														* 8.11	* 8.11	* 7.92	6.84					* 4.78	* 4.78	9.82
5.00													* 9.36	* 9.36	* 8.73	8.31	* 8.31	6.66	* 5.73	5.38	* 4.88	* 4.88	10.13	
4.00			* 8.66	* 8.66	* 10.27	* 10.27	* 13.00	* 13.00	* 11.92	* 11.92	* 10.44	10.07	* 9.47	7.99	* 8.81	6.45	* 7.24	5.27	* 5.06	4.89	10.34			
3.00					* 8.76	* 8.76	* 10.16	* 10.16	* 12.82	12.30	* 11.58	9.59	* 10.26	7.67	9.21	6.23	7.64	5.11	* 5.32	4.68	10.45			
2.00					* 8.69	* 8.69	* 9.10	* 9.10	* 10.76	* 10.76	* 12.66	9.16	10.95	7.36	8.98	6.02	7.49	4.97	* 5.68	4.56	10.46			
1.00					* 8.94	* 8.94	* 8.75	* 8.75	* 9.82	* 9.82	* 12.14	8.79	10.67	7.10	8.79	5.83	7.36	4.85	* 6.16	4.54	10.37			
0.00			* 8.73	* 8.73	* 9.03	* 9.03	* 8.66	* 8.66	* 9.40	* 9.40	* 11.24	8.53	10.45	6.90	8.63	5.69	7.26	4.76	* 6.81	4.61	10.18			
-1.00	* 9.44	* 9.44	* 10.84	* 10.84	* 8.96	* 8.96	* 8.65	* 8.65	* 9.25	* 9.25	* 10.86	8.36	10.30	6.77	8.53	5.60					7.35	4.81	9.89	
-2.00	* 12.69	* 12.69	* 9.92	* 9.92	* 8.82	* 8.82	* 8.66	* 8.66	* 9.27	* 9.27	* 10.83	8.28	10.24	6.71	8.50	5.57					7.86	5.15	9.47	
-3.00	* 10.70	* 10.70	* 9.30	* 9.30	* 8.69	* 8.69	* 8.73	* 8.73	* 9.43	* 9.43	* 11.15	8.29	10.26	6.73							8.67	5.70	8.93	
-4.00	* 9.61	* 9.61	* 8.88	* 8.88	* 8.63	* 8.63	* 8.89	* 8.89	* 9.81	* 9.81	* 11.97	8.41	10.40	6.86							9.98	6.59	8.22	
-5.00			* 8.66	* 8.66	* 8.71	* 8.71	* 9.24	* 9.24	* 10.59	* 10.59	* 12.72	8.55									* 11.93	8.11	7.31	
-6.00					* 9.05	* 9.05	* 10.05	* 10.05	* 12.48	11.45												* 12.48	11.18	6.09

- NOTE
- Lifting capacities are based on ISO 10567
  - Lifting capacities shown do not exceed 87% of machine hydraulic capacity or 75% of minimum tipping load.
  - Capacities marked with an asterisk (\*) are limited by hydraulic capacities.
  - Lifting capacities are based on machine standing on firm, uniform supporting surface. User must make allowances for job conditions such as soft or uneven ground.
  - Lifting capacities shown should not be exceeded. Weight of all lifting accessories must be deducted from the above lifting capacities.
  - Capacities apply only to the machine as originally manufactured and equipped by KATO WORKS CO., LTD.
  - The operator should be fully acquainted with the operation manual before operating the machine.

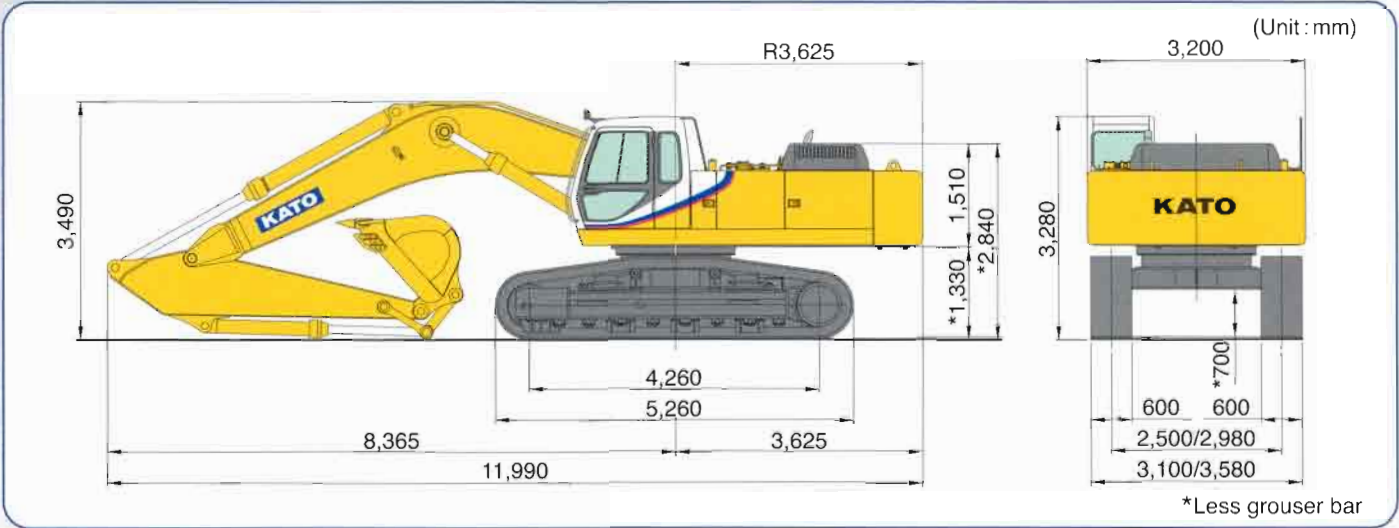
**Standard Equipment**

- New APC mode
- New auto-slow • One-touch-slow
- Multi-mode display monitor
- Adjustable monitor alarm
- 2 service hour meter
- 3 traveling mode
- Automatic travel speed change
- Spring assisted pull-up front window
- 6 points viscous damping cab suspension
- Multi position operator's seat
- Adjustable seat suspension
- Adjustable speed window wiper
- Front window washer (2 sprays)
- Rear emergency escape window
- Cabin light connected to cabin door
- 2 working lights  
(Upper front right side & Boom left side)
- Main control valve with antidrift valves (Boom and Arm)
- Digging force booster (High power)
- Swing shockless valve
- Automatic swing parking brake
- Automatic travel parking brake
- One free service circuit for attachments
- Fire wall
- Rear view mirror (right side)
- Track guard, 3 pcs each side
- Air cleaner, double element

**Optional Equipment**

- Tinted transparent hatch
- Seat belt
- Automatic climate control air conditioner
- Hot & cool box contained with AC
- Auto tuning AM/FM radio with clock
- 2 speaker stereo
- Working light (Cab left side)
- Working light (Boom right side)
- Working light (Cab right side)
- Rear view mirror (left side)
- Cab access step
- Optional piping
- Cab front half guard
- Cab front full guard
- Cab head guard
- Electronic horn
- Cabin fan
- Swing warning light
- Travel alarm
- Refueling pump
- Low temperature spec
- Tool set
- Full-length track guard
- Electric lubricator

**Dimensions**



NOTE : Illustrations may include optional equipment. KATO products and specifications are subject to improvements and changes without notice.

Address inquiries to :



Specifications subject to change without notice

**(1300 65 8888)**

Website: [www.btequipment.com.au](http://www.btequipment.com.au)



BRISBANE	10-14 Ashover Road, Rocklea. Qld 4106
SYDNEY	6 Ferngrove Place, South Granville. NSW 2142
MELBOURNE	80-86 Frankston-Dandenong Road, Dandenong. Vic 3175
ADELAIDE	908 Main North Road, Mawson Lakes. SA 5095
PERTH	50 Great Eastern Highway, South Guildford. WA 6055

Phone	Fax
(07) 3373 6400	(07) 3875 1680
(02) 9780 7200	(02) 9780 7290
(03) 9554 0300	(03) 9554 0398
(08) 8262 8292	(08) 8262 8320
(08) 9478 0600	(08) 9478 0688