

KATO

**SUPER
EXCEED**

HD308US

FULLY HYDRAULIC EXCAVATOR

Bucket capacity: 0.12m³ - 0.34m³ (ISO)

Engine output: 40.5kW/2,100min⁻¹ (ISO Net)

Operating weight: 7,100kg

7,600kg (with dozer)



Gentle with Nature, Gentle with Environment

Little big man fitting into the tight



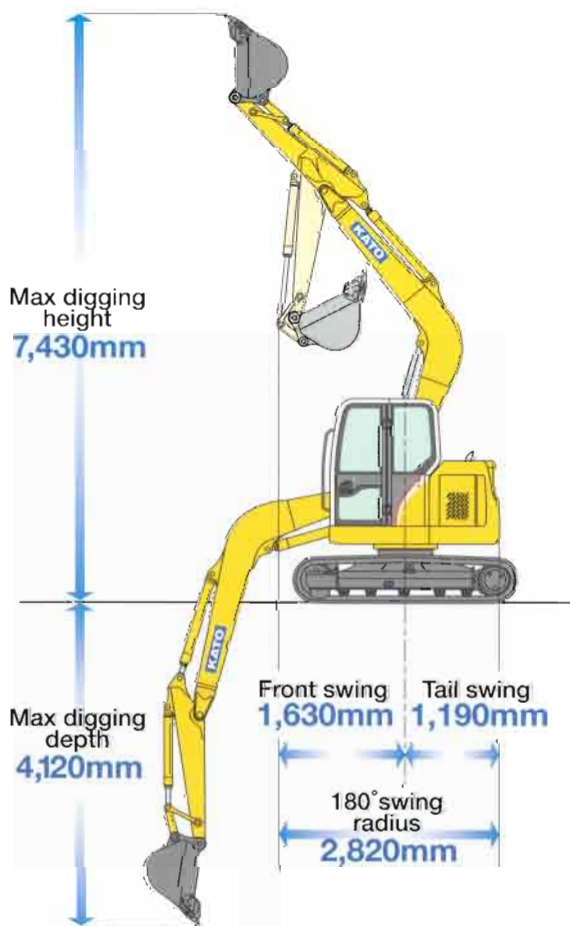
- Additional piping(option)
- Dozer(option)

HD308US

Compact but a big performance with ranges & powerful operations

Provides widest digging range in the class

Max digging radius **6,470mm**
Max digging depth **4,120mm**
Max digging height **7,430mm**



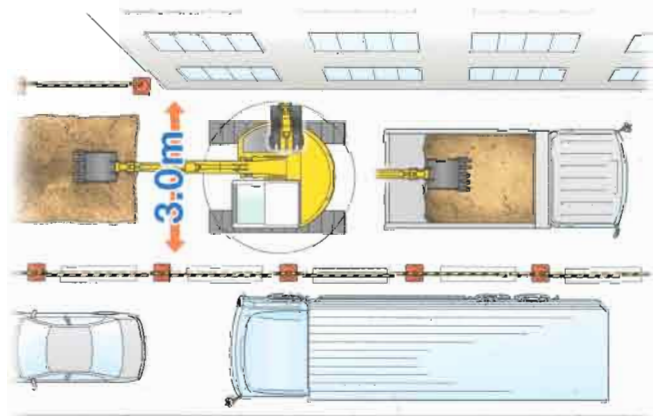
Driven by an environment-friendly new-type clean engine featuring high fuel efficiency and low noise

Fuel consumption **236g/kW-hour**
JIS sound power level **99dB(A)**

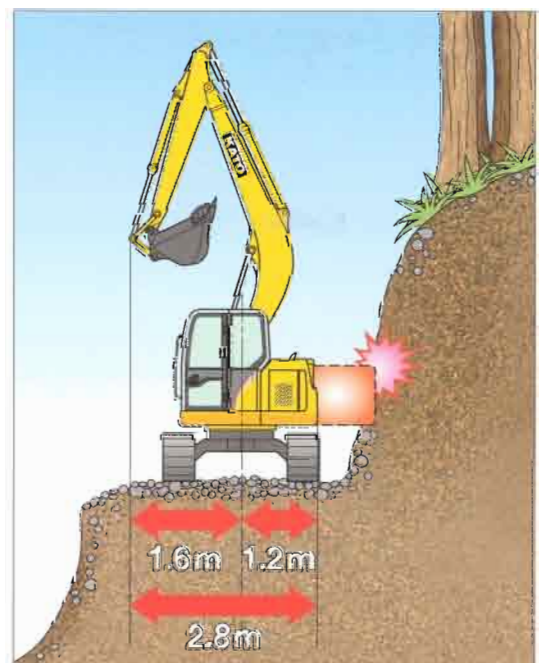
Delivers the most powerful digging force in the class

Bucket digging force **61.4kN [6.3tonf]**
Arm digging force **42.2kN [4.3tonf]**

Compact operation in the narrow space



Smart operation in the limited space



Technical Specifications

ENGINE

Model	ISUZU CC-4JG1, 4 cycle diesel engine
Number of cylinders	4
Bore & Stroke	95.4mm × 107mm
Total displacement	3.059 L
Rated output	40.5kW/2,100min ⁻¹ (55PS/2,100rpm) (ISO Net)
Max. torque	191N·m/1,800min ⁻¹ (19.5kgf·m/1,800rpm) (ISO Net)
Compression ratio	18.6:1
Combustion system	Direct injection
Specific fuel consumption	236g/kW-hour(174g/PS-hour)
Cooling system	Pressurized water circulated by a centrifugal pump with thermostat
Lubrication system	Pressurized oil fed by a gear pump through full-flow and by-pass cartridge filter
Starter	Electric, 24V-3.2kW
Generator	Alternator, 24V-30A
Governor	Mechanical
Air cleaner	Dry type filter

*The engine emission is in accordance with 97/68/EC stage II

SWING SYSTEM

Drive	Axial piston motor with shockless valve and reduction gear.
Brake	A hydraulic brake that locks automatically when the swing control lever is in the neutral position and a mechanical parking brake which is applied when the safety lock lever is pulled backwards, the engine is turned off or the swing control lever is in the neutral position.
Lubrication	Completely housed and grease bathed
Max. swing speed	12.5min ⁻¹
Tail swing radius	1,190mm
Min. front swing radius	1,630mm

HYDRAULIC SYSTEM

Pumps	Double variable piston pump and gear pump
Max. discharge flow	2×77.7L/min
Max. discharge pressure	29.4MPa(300kgf/cm ²)
Max. discharge pressure (travel circuit only)	31.4MPa(320kgf/cm ²)
Oil filtration	Full-flow filter with replaceable element, a pilot line filter and suction strainer
Control valves	5+4 section multiple control valves (with one free service circuit)
Pilot pump	Gear type
Oil cooler	Finned tube, forced ventilation
Pressure relief valves	Primary and secondary on each circuit

TRAVEL SYSTEM

Drive	Independent axial piston motor with reduction for each side
Brakes	Independent disk parking brake for each side, applied automatically when the travel levers are in the neutral position.
Track shoes	39 each side
Track adjustment	Grease cylinders with recoil springs
Lubrication	Sealed-for-life rollers and front idlers with floating seals
Travel speed	High 0~5.0km/h Medium 0~3.4km/h Low 0~2.0km/h
Gradeability	70% (35°)
Max. drawbar pull	65.4kN(6,670kgf)
Ground clearance (less grouser bar)	360mm
Track length	2,850mm

SERVICE DATA

Fuel tank	100 L
Cooling system	11 L
Engine oil	9.6 L
Track drives	2×1.3 L
Hydraulic oil tank	
(level)	48 L
(system)	95 L
In standard figure, with the 1.62m arm, 450mm grouser shoes and 0.28m ³ (ISO) bucket.	
Operating weight	7,100kg
Ground pressure	31.4kPa(0.32kgf/cm ²)

BOOM, ARM AND BUCKET

Boom cylinders	One, double acting
Bore & Stroke	105mm × 960mm
Arm cylinder	One, double acting
Bore & Stroke	95mm × 920mm
Bucket cylinder	One, double acting
Bore & Stroke	85mm × 745mm
Lubrication	Grease nipples, with centralized greasing for remote points
Bucket digging force	61.4kN(6,300kgf)
Arm digging force	42.2kN(4,300kgf)

CAB & CONTROLS

- Type All weather sound suppressed, cab mounted on 4 point viscous mounting.
- Right hand lever Controls the boom & bucket
- Inner right hand lever (with foot pedal) Controls the right hand track
- Inner left hand lever (with foot pedal) Controls the left hand track
- Left hand lever Controls the arm & swing
- Pilot control Travel, boom, arm, bucket and swing
- Engine throttle Electric "Accel dial"

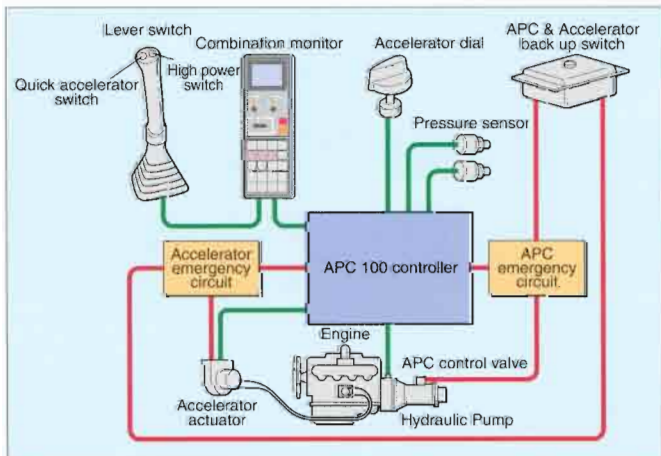
- Meter & gauges Hour meter, water temperature and fuel level
- Monitor display Engine oil pressure, engine oil filter, hydraulic oil filter, hydraulic oil temperature, water temperature, water level, fuel level, battery charge, fuel filter water level, APC monitor and air cleaner.
- Indicator lamps Caution lamp & Engine preheater indicator lamp
- Working lights Provided on the boom left side and mounted on the frame
- Lubrication chart Inside the tool box

- Drink holder
- Hammer



● Combination monitor

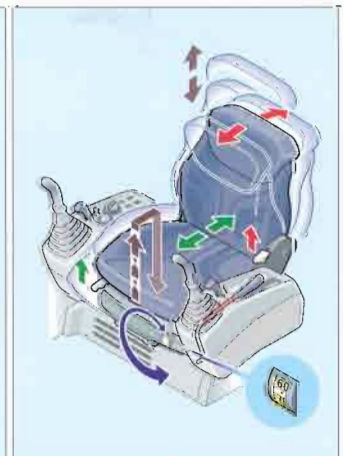
● Air conditioner control panel (Option)



● APC (Automatic Power Control) system

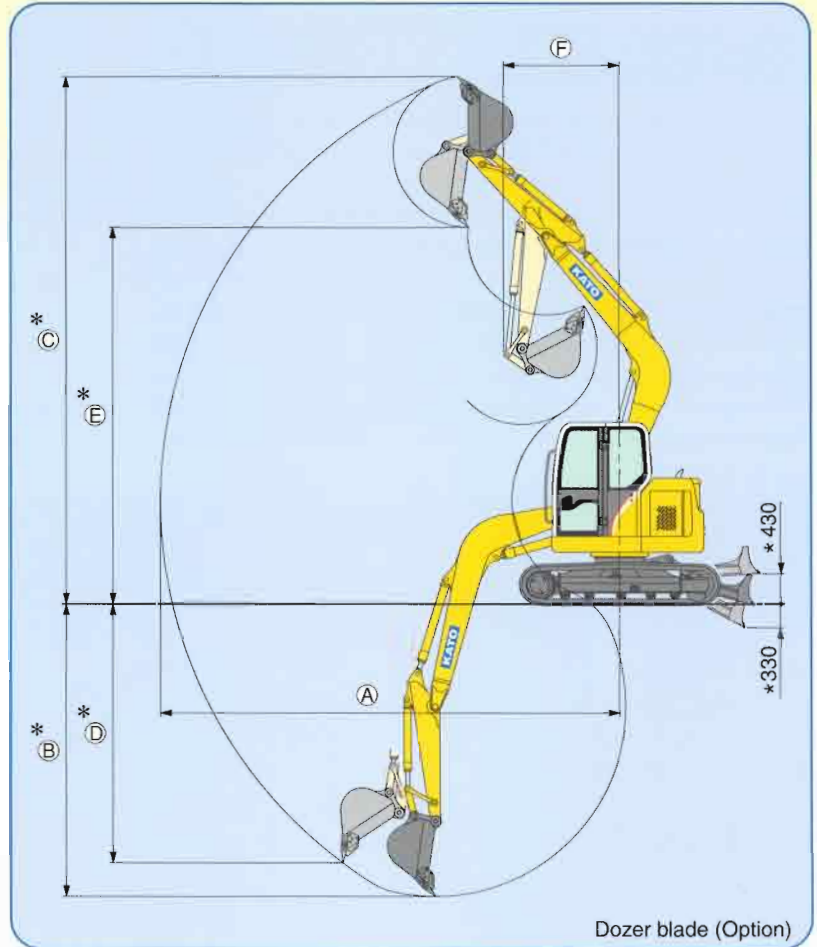


● A sample of the air flow



● Multi position operator's seat and adjustable seat suspension.

Working Ranges



(Unit : mm)

Range	Arm	STD (1.62m)	Long Arm (2.07m)
Ⓐ-Max. digging radius		6,470	6,910
Ⓑ-Max. digging depth		4,120	4,570
Ⓒ-Max. digging height		7,430	7,800
Ⓓ-Max. vertical wall		3,620	4,140
Ⓔ-Max. dumping height		5,320	5,680
Ⓕ-Min. swing radius		1,630	2,010

*Less grouser bar.

Bucket

Type of bucket		Backhoe bucket					Dredging bucket	Slope forming bucket	Ditch cleaning bucket	Ejector bucket
Bucket capacity	m ³ , ISO	0.12	0.16	0.22	0.28	0.34	0.2(struck)	—	0.34(struck)	0.16
Bucket width	w/o side cutters, mm	370	440	555	650	770	1,700 45° 250	1,400 × 800	1,000	350
	with side cutters, mm	480	555	670	770	890				
Bucket weight	kg	170	190	210	230	250	200	305	220	150
Number of bucket teeth		3	3	3	4	4	2	—	—	3
Shape of bucket										
Standard boom +	Standard arm	●	●	●	●	▲	●	●	●	●
	Long arm	●	●	●	▲	×	●	▲	▲	●
	Extension arm	●	▲	×	×	×	×	▲	×	▲

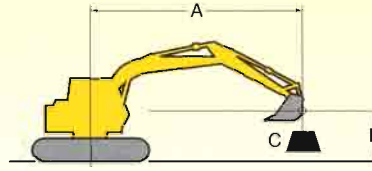
● General purpose ▲ Light work × Unusable ● Yellow colored area means standard.

Track Shoes

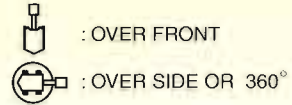
Type of shoes	Pat crawler	Grouser shoe		Flat shoe	Triangle shoe		
Shoe width	mm	450	450	600	450	600	700
Overall width	mm	2,300	2,300	2,450	2,300	2,450	2,550
Ground pressure	kPa (kgf/cm ²)	31.4 (0.32)	31.4 (0.32)	24.0 (0.24)	32.4 (0.34)	24.3 (0.25)	27.5 (0.28)
Net weight change	kg	±0	S.T.D	+120	+340	+260	+330

● Yellow colored area means standard.

Lifting Capacities



A : REACH FROM SWING CENTER LINE
 B : BUCKET HOOK HEIGHT
 C : LIFTING CAPACITIES



HD308US 450mm Shoe, 3.83m Boom, 1.62m Arm, 0.28m³ Bucket(230kg) WITHOUT DOZER Unit: 1,000kg

LOAD POINT HEIGHT B (m)	LOAD RADIUS A (m)								RATING AT MAXIMUM REACH			
	2.00		3.00		4.00		5.00		m			
	Over Front	Over Side	Over Front	Over Side	Over Front	Over Side	Over Front	Over Side				
5.00												
4.00			* 1.54	* 1.54	* 1.47	* 1.47						
3.00	* 2.79	* 2.79	* 2.01	* 2.01	* 1.69	* 1.44	1.19	0.96	1.03	0.83	5.40	
2.00			* 2.62	2.62	1.68	1.35	1.15	0.92	0.94	0.75	5.59	
1.00			2.54	2.54	1.59	1.26	1.10	0.88	0.91	0.72	5.60	
0.00			2.45	2.45	1.53	1.21	1.07	0.85	0.94	0.74	5.42	
-1.00	* 3.03	* 3.03	2.45	2.42	1.51	1.18	1.06	0.84	1.05	0.83	5.04	
-2.00	* 3.04	* 3.04	2.45	2.45	1.52	1.20			1.32	1.04	4.40	
-3.00	* 3.26	* 3.26	2.29	2.29					1.98	1.67	3.35	

HD308US 450mm Shoe, 3.83m Boom, 2.07m Arm, 0.22m³ Bucket(210kg) WITHOUT DOZER Unit: 1,000kg

LOAD POINT HEIGHT B (m)	LOAD RADIUS A (m)								RATING AT MAXIMUM REACH				
	2.00		3.00		4.00		5.00		6.00		m		
	Over Front	Over Side	Over Front	Over Side	Over Front	Over Side	Over Front	Over Side	Over Front	Over Side			
6.00													
5.00					* 1.18	* 1.18							
4.00					* 1.26	* 1.26	1.25	1.02					
3.00			* 1.68	* 1.68	* 1.49	1.48	1.22	0.99			0.89	0.71	5.88
2.00	* 3.70	* 3.70	* 2.31	2.24	1.72	1.38	1.17	0.94	0.83	0.66	0.82	0.65	6.06
1.00			2.60	2.03	1.61	1.28	1.11	0.89	0.81	0.64	0.79	0.62	6.06
0.00	* 2.90	* 2.90	2.46	1.91	1.53	1.21	1.07	0.84			0.81	0.64	5.90
-1.00	* 3.02	* 3.02	2.41	1.86	1.49	1.17	1.05	0.82			0.89	0.70	5.55
-2.00	* 3.07	* 3.07	2.41	1.86	1.49	1.17					1.07	0.84	4.98
-3.00	* 0.27	* 3.27	2.47	1.92	1.54	1.22					1.49	1.18	4.08

- NOTE . 1 Lifting capacities are based on ISO 10567
 2. Lifting capacities shown do not exceed 87% of machine hydraulic capacity or 75% of minimum tipping load.
 3. Capacities marked with an asterisk (*) are limited by hydraulic capacities.
 4. Lifting capacities are based on machine standing on firm, uniform supporting surface.
 User must make allowances for job conditions such as soft or uneven ground.
 5. Lifting capacities shown should not be exceeded. Weight of all lifting accessories must be deducted from the above lifting capacities.
 6. Capacities apply only to the machine as originally manufactured and equipped by KATO WORKS CO., LTD.

Standard Equipment

- New APC mode
- New auto-slow • One-touch-slow
- Multi-mode display monitor
- Adjustable monitor alarm
- 2 service hour meter
- 3 traveling mode
- Automatic travel speed change
- Spring assisted pull-up front window
- 4 points viscous damping cab suspension
- Multi position operator's seat
- Adjustable seat suspension
- Adjustable speed window wiper
- Cabin light connected to cabin door
- 2 working lights
(Upper front right side & Boom left side)
- Swing shockless valve
- Automatic slew parking brake
- Automatic travel parking brake
- One free service circuit for attachments
- Front window washer (2 sprays)

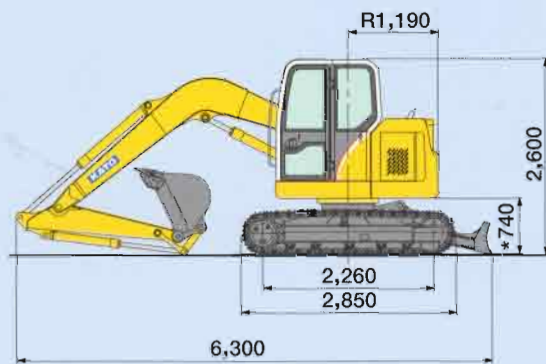
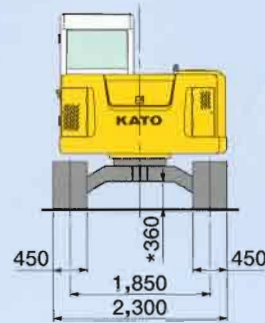
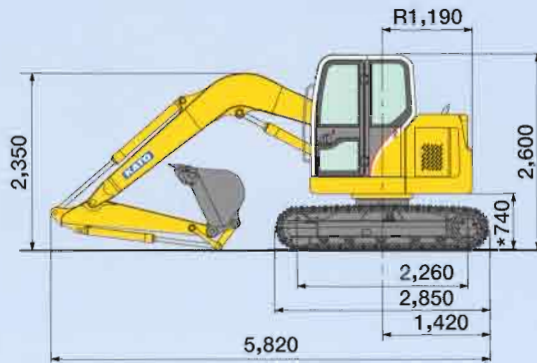
Optional Equipment

- Seat belt
- Automatic climate control air conditioner
- Cabin heater
- Auto tuning AM/FM radio with clock
- 2 speaker stereo
- Working light (Cab left side)
- Working light (Boom right side)
- Cab access step
- Optional piping
- Cab front half guard
- Cab front full guard
- Electronic horn
- Swing warning light
- Travel alarm
- Refueling pump
- Air cleaner, double element
- Low temperature spec
- Tool set
- Track guard, 1 pcs each side
- Track guard, 2 pcs each side
- Dozer
- Rubber crawler (450mm)

Dimensions

(Unit: mm)

$\frac{1}{100}$



*Less grouser bar

Address inquiries to

NOTE : Illustrations may include optional equipment. KATO products and specifications are subject to improvements and changes without notice.



KATO WORKS CO., LTD.

Specifications subject to change without notice

(1300 65 8888)

Website: www.btequipment.com.au

BT
EQUIPMENT
 BT Equipment Pty Ltd
 ABN 89 094 476 141

BRISBANE	10-14 Ashover Road, Rocklea. Qld 4106
SYDNEY	6 Ferngrove Place, South Granville. NSW 2142
MELBOURNE	80-86 Frankston-Dandenong Road, Dandenong. Vic 3175
ADELAIDE	908 Main North Road, Mawson Lakes. SA 5095
PERTH	50 Great Eastern Highway, South Guildford. WA 6055

Phone	Fax
(07) 3373 6400	(07) 3875 1680
(02) 9780 7200	(02) 9780 7290
(03) 9554 0300	(03) 9554 0398
(08) 8262 8292	(08) 8262 8320
(08) 9478 0600	(08) 9478 0688