

KATO

**SUPER
EXCEED**

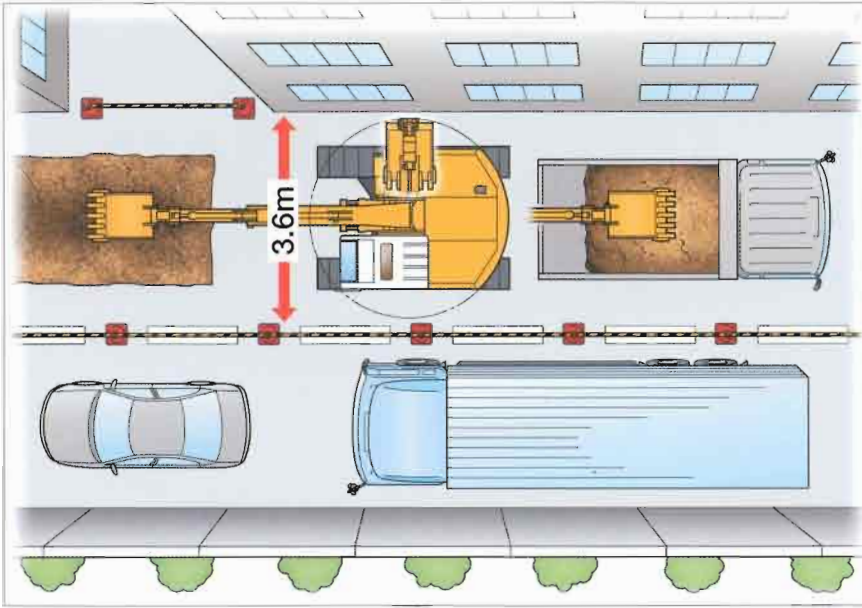
HD513MR^{III}

COMPACT TAIL SWING MODEL

*Bucket capacity: 0.25m³ - 0.60m³ (ISO)
Engine output: 68kW/2,050min⁻¹ (ISO Net)
Operating weight: 13,200kg*

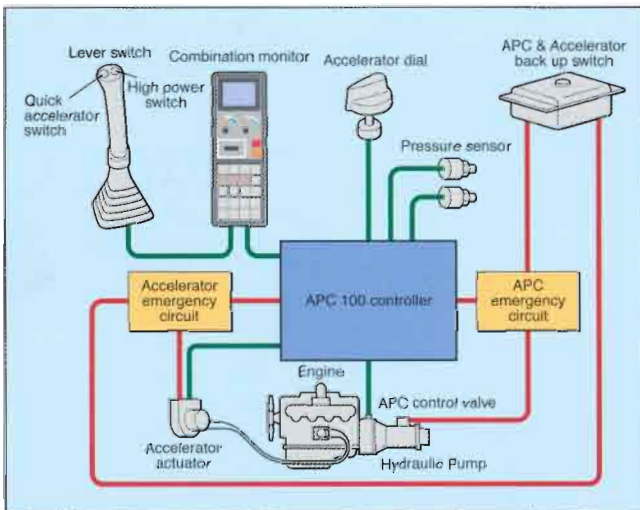


IT'S CITYRANGE WORKABLE IN THE LIMITED



Compact Swing Radius

- Compact swing radius fit in narrow street gives us greater opportunity to get job done without stress on the street.
- Compact tail swing radius way in handles big work in the tight space safely without hit own tail.



●APC(Automatic Power Control) system



●Combination monitor

Precision Work

- State of the art combination with computer system "APC(Automatic Power Control)", hydraulic system and also fatigue free operator's seat pulls out precision fine work on your demands always.

Comfortable Cabin

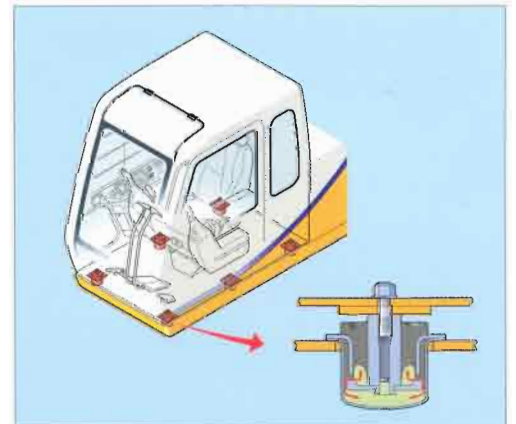
- Low mechanical & Hydraulic noise and also low vibration dumped by 6 points viscous mounting cab reduce fatigue of operator even in heavy work.
- Wide visibility from the eye point of the operator sit in the comfortable operator's seat guarantees the safe and fine works at the tight corner of the narrow job site. Also easy access to all levers and switches from the operator's position keeps comfortable operation. Try our super cabin, and you will never forget about the feeling of "Super-Exceed".



●Exceptionally comfortable suspension seat is adjustable to the operator's weight



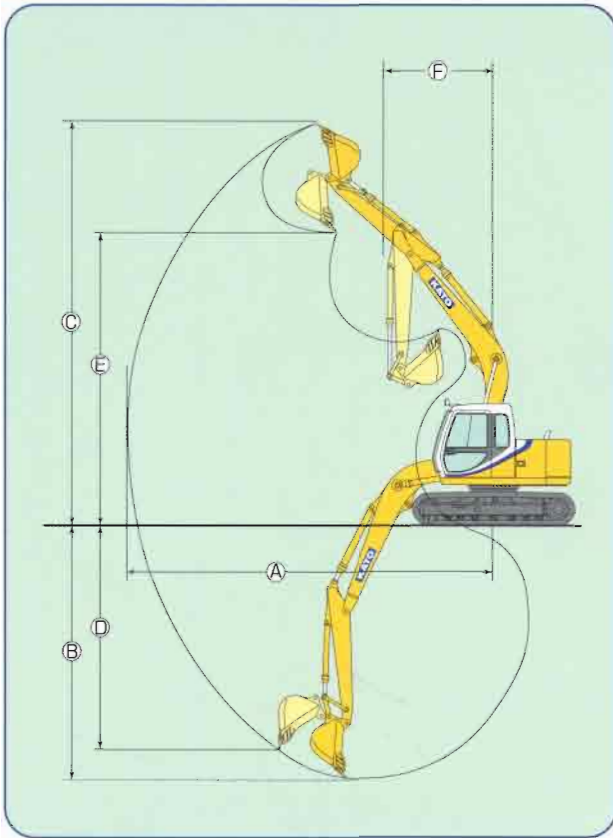
●Comfort features are included to keep you from feeling fatigue! A wide large-model cab



●Six-point viscous damping cab suspension

Working Ranges

(Unit : mm)



Range (mm)	Arm	Short Arm (2.1m)	STD Arm (2.5m)	Long Arm (3.0m)
Ⓐ-Max. digging radius		8,010 (8,010)	8,380 (8,380)	8,840 (8,840)
*Ⓑ-Max. digging depth		5,180 (4,250)	5,580 (4,650)	6,090 (5,160)
*Ⓒ-Max. digging height		8,610 (9,290)	8,850 (9,610)	9,130 (10,010)
*Ⓓ-Max. vertical wall		4,570 (3,710)	4,960 (4,090)	5,340 (4,580)
*Ⓔ-Max. dumping height		6,240 (6,910)	6,480 (7,230)	6,770 (7,620)
Ⓕ-Min. swing radius		2,390 (1,700)	2,380 (1,800)	2,490 (2,060)

*Less grouser bar.

Values in () are for the small swing position.

Bucket

Type of bucket		Backhoe bucket							Slope forming bucket
Bucket capacity	m ³ , ISO	0.25	0.35	0.40	0.45	0.50	0.55	0.60	—
Bucket width	W/O side cutters, mm	540	695	785	875	910	1,000	1,090	1,800 × 1,000
	with side cutters, mm	630	785	875	965	1,000	1,090	1,180	
Bucket weight	kg	290	340	370	380	420	440	460	620
Number of bucket teeth		3	4	4	4	5	5	5	—
Shape of bucket									
Standard boom +	Short arm	●	●	●	●	●	●	□	○
	Standard arm	●	●	●	●	●	▲	□	○
	Long arm	●	●	●	▲	*▲	×	×	○
	Extension arm (1,000mm)	●	▲	×	×	×	×	×	×

● General purpose ▲ Light work □ Loading ○ Usable × Unusable

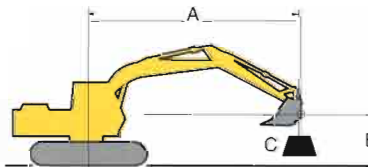
*Usable only when 700mm shoe is fitted on.

● Yellow colored area means standard.

Track Shoes

Type of shoes		Grouser shoe			Flat shoe		Triangle shoe	
Shoe width	mm	500	600	700	500	700		
Overall width	mm	2,490	2,590	2,690	2,490	2,690		
Ground pressure	kPa	41	35	31	43	30		
Net weight change	kg	S.T.D	+180	+480	+420	+460		

● Yellow colored area means standard.



A : REACH FROM SWING CENTERLINE
B : BUCKET HOOK HEIGHT
C : LIFTING CAPACITIES

: OVER FRONT

: OVER SIDE OR 360°

Lifting Capacities

HD513MRIII 500mm Shoe, 4.65m Boom, 2.50m Arm, 0.50m³ (415kg)

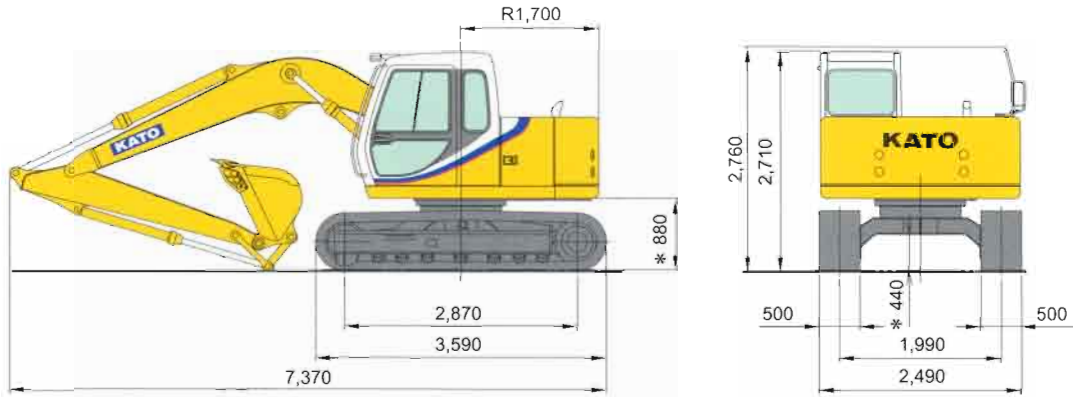
UNIT : 1000 kg

LOAD POINT HEIGHT B m	OUTREACH A m												RATING AT MAXIMUM REACH		
	2.00		3.00		4.00		5.00		6.00		7.00		m		
5.00							*2.09	*2.09	*2.26	2.04					
4.00					*2.40	*2.40	*2.38	*2.38	*2.39	2.01	*1.56	1.48	*1.48	1.47	7.02
3.00	*5.99	*5.99	*3.95	*3.95	*3.20	*3.20	*2.84	2.65	*2.65	1.94	2.17	1.46	*1.50	1.34	7.29
2.00			*5.82	5.64	*4.14	3.58	*3.37	2.52	2.76	1.86	2.12	1.42	*1.57	1.27	7.41
1.00			*4.98	*4.98	*4.99	3.36	3.59	2.39	2.68	1.79	2.08	1.38	*1.68	1.25	7.39
0.00	*3.02	*3.02	*4.81	*4.81	5.00	3.21	3.49	2.29	2.61	1.73	2.04	1.34	*1.86	1.27	7.23
-1.00	*4.64	*4.64	*4.80	*4.80	4.91	3.13	3.42	2.23	2.57	1.69			2.06	1.35	6.93
-2.00	*4.83	*4.83	*4.86	*4.86	4.89	3.12	3.40	2.22	2.57	1.69			2.31	1.52	6.44
-3.00	*4.76	*4.76	*5.05	5.04	4.93	3.15	3.43	2.25					2.79	1.84	5.74
-4.00	*4.92	*4.92	*5.54	5.19	*5.03	3.26							3.86	2.55	4.73

- NOTE
- Lifting capacities are based on ISO 10567
 - Lifting capacities shown do not exceed 87% of machine hydraulic capacity or 75% of minimum tipping load.
 - Capacities marked with an asterisk (*) are limited by hydraulic capacities.
 - Lifting capacities are based on machine standing on firm, uniform supporting surface.
User must make allowances for job conditions such as soft or uneven ground.
 - Lifting capacities shown should not be exceeded. Weight of all lifting accessories must be deducted from the above lifting capacities.
 - Capacities apply only to the machine as originally manufactured and equipped by KATO WORKS CO., LTD.
 - The operator should be fully acquainted with the operation manual before operating the machine.

Dimensions

(Unit : mm)



* Less grouser bar

General data

- Model name HD513MR III
- Operating weight 13,200 kg
- Bucket capacity 0.25 ~ 0.60 m³ (ISO)
- Swing speed 12.5 min⁻¹
- Travel speed 5.0/3.1/2.4 km/h
- Bucket/arm digging force 88 kN/64 kN
{high-power mode: 98 kN/71 kN}
- Standard shoe width 500 mm
- Ground pressure 41.0 kPa
- Engine model Mitsubishi 4D34-TLE2A, 4 cycle intercooler turbo-charged diesel engine
- Rated engine output 68 kW/2,050 min⁻¹
- Fuel tank capacity 210 L
- Hydraulic pump type Double variable piston pump and gear pump
- Set pressure 29.4 MPa 32.9 MPa Travel only
- Travel motor type Piston motor x 2
- Hydraulic oil tank capacity 136 L (level 74 L)

NOTE : Illustrations may include optional equipment. KATO products and specifications are subject to improvements and changes without notice.

Address inquiries to :



Specifications subject to change without notice

(1300 65 8888)

Website: www.btequipment.com.au



BRISBANE	10-14 Ashover Road, Rocklea. Qld 4106
SYDNEY	6 Ferngrove Place, South Granville. NSW 2142
MELBOURNE	80-86 Frankston-Dandenong Road, Dandenong. Vic 3175
ADELAIDE	908 Main North Road, Mawson Lakes. SA 5095
PERTH	50 Great Eastern Highway, South Guildford. WA 6055

Phone	Fax
(07) 3373 6400	(07) 3875 1680
(02) 9780 7200	(02) 9780 7290
(03) 9554 0300	(03) 9554 0398
(08) 8262 8292	(08) 8262 8320
(08) 9478 0600	(08) 9478 0688