

KATO

**SUPER
EXCEED**

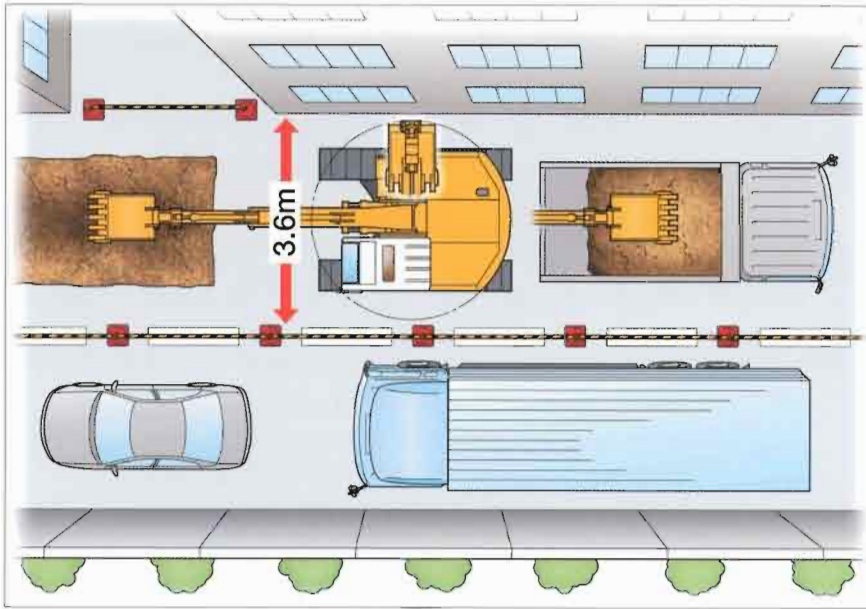
HD823MRⅡ HD823MRⅡ-LC

COMPACT TAIL SWING MODEL

*Bucket capacity: 0.45m³ - 1.1m³ (ISO)
Engine output: 110kW/2,050min⁻¹ (ISO Net)
Operating weight: 22,000kg (HD823MRⅡ) /
22,700kg (HD823MRⅡ-LC)*

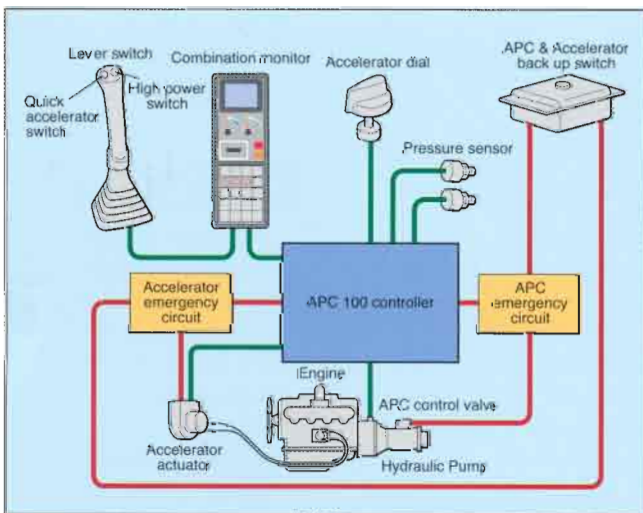


IT'S CITYRANGE WORKABLE IN THE LIMITED



Compact Swing Radius

- Compact swing radius fit in narrow street gives us greater opportunity to get job done without stress on the street.
- Compact tail swing radius way in handles big work in the tight space safely without hit own tail.



●APC(Automatic Power Control) system



●Combination monitor

Precision Work

- State of the art combination with computer system "APC(Automatic Power Control)", hydraulic system and also fatigue free operator's seat pulls out precision fine work on your demands always.

Comfortable Cabin

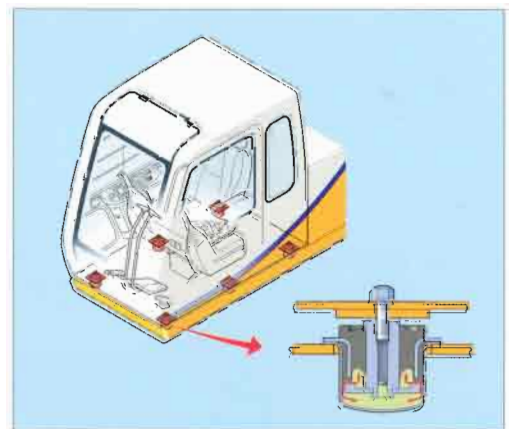
- Low mechanical & Hydraulic noise and also low vibration dumped by 6 points viscous mounting cab reduce fatigue of operator even in heavy work.
- Wide visibility from the eye point of the operator sit in the comfortable operator's seat guarantees the safe and fine works at the tight corner of the narrow job site. Also easy access to all levers and switches from the operator's position keeps comfortable operation. Try our super cabin, and you will never forget about the feeling of "Super-Exceed".



●Exceptionally comfortable suspension seat is adjustable to the operator's weight

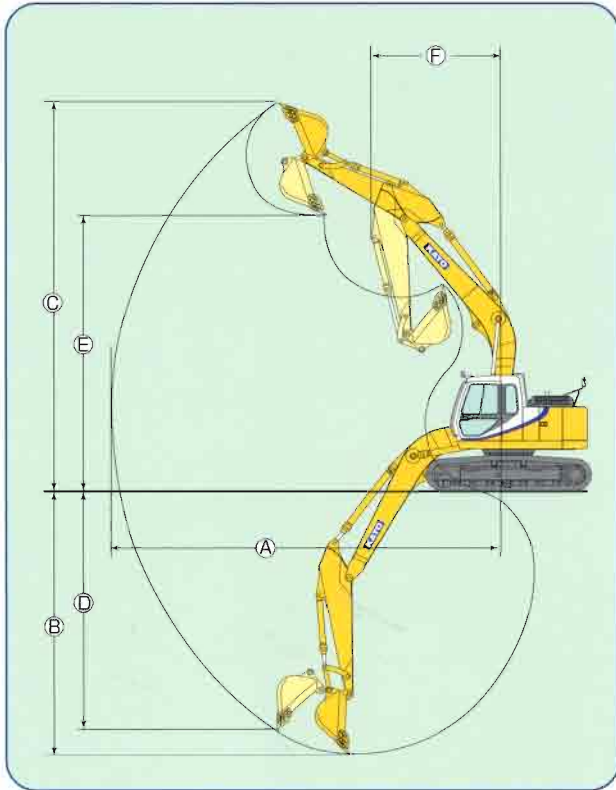


●Comfort features are included to keep you from feeling fatigue! A wide large-model cab



●Six-point viscous damping cab suspension

Working Ranges








(Unit : mm)

| Range (mm) | Arm | Short Arm (2.43m) | STD Arm (2.93m) | Long Arm (3.92m) |
|------------------------|-----|----------------------|--------------------|---------------------|
| Ⓐ-Max. digging radius | | 9,470 (9,470) | 9,910 (9,910) | 10,840 (10,840) |
| *Ⓑ-Max. digging depth | | 6,200 (4,760) | 6,690 (5,260) | 7,690 (6,260) |
| *Ⓒ-Max. digging height | | 9,550 (10,930) | 9,770 (11,290) | 10,310 (12,080) |
| *Ⓓ-Max. vertical wall | | 5,600 (4,220) | 6,120 (4,720) | 7,160 (5,730) |
| *Ⓔ-Max. dumping height | | 6,700 (7,850) | 6,840 (8,210) | 7,350 (9,010) |
| Ⓕ-Min. swing radius | | 3,580 (1,980) | 3,460 (1,910) | 3,400 (2,110) |

*Less grouser bar.

Values in () are for the small swing position.




Bucket

| Type of bucket | | Backhoe bucket | | | | | | Dredging bucket | Slope forming bucket |
|------------------------|-----------------------|---|------|---|-------|---|---|---|----------------------|
| Bucket capacity | m ³ , ISO | 0.45 | 0.55 | 0.80 | 0.90 | 1.0 | 1.1 | 0.65 | — |
| Bucket width | W/O side cutters, mm | 650 | 800 | 1,020 | 1,190 | 1,270 | 1,400 | 2,400 45° 350 | 2,000 × 1,250 |
| | with side cutters, mm | 765 | 915 | 1,135 | 1,305 | 1,385 | — | | — |
| Bucket weight | kg | 520 | 570 | 640 | 710 | 760 | 760 | 770 | 980 |
| Number of bucket teeth | | 4 | 4 | 5 | 5 | 5 | 6 | 2 | — |
| Shape of bucket | |  | |  | |  |  |  | |
| Standard boom + | Short arm | ● | ● | ● | ● | ▲ (●) | □ | ● | ○ |
| | Standard arm | ● | ● | ● | ● | ▲ (●) | □ | ● | ○ |
| | Long arm | ● | ● | ▲ | ▲ | × | × | ▲ | ○ |
| | Extension arm | ● | × | × | × | × | × | × | × |

● General purpose ▲ Light work □ Loading ○ Usable × Unusable
● Yellow colored area means standard.

() =HD823MRⅢ-LC

Track Shoes

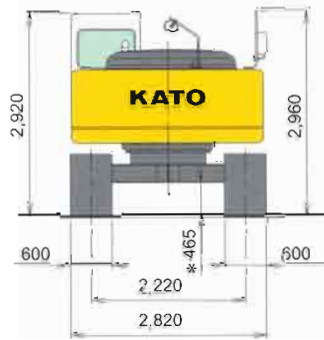
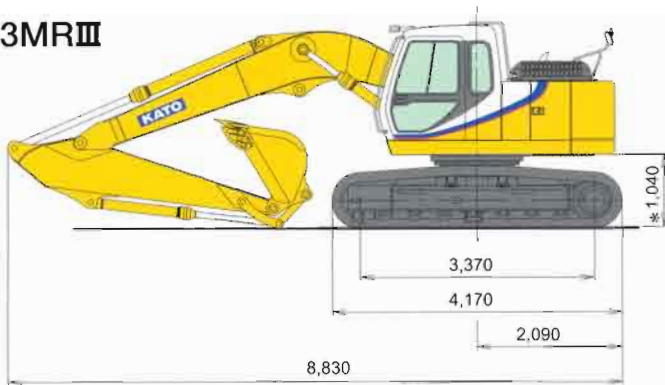
| Type of shoes | | Grouser shoe | | | | Flat shoe | Triangle shoe | |
|-------------------|-----|---|-------|-------|-------|---|---|-------|
| | |  | | | |  |  | |
| Shoe width | mm | HD823MRⅢ | 600 | 700 | 800 | — | 600 | 800 |
| | | HD823MRⅢ-LC | 600 | 700 | 800 | 900 | 600 | 800 |
| Overall width | mm | HD823MRⅢ | 2,820 | 2,920 | 3,020 | — | 2,820 | 3,020 |
| | | HD823MRⅢ-LC | 2,990 | 3,090 | 3,190 | 3,290 | 2,990 | 3,190 |
| Ground pressure | kPa | HD823MRⅢ | 49 | 43 | 38 | — | 51 | 40 |
| | | HD823MRⅢ-LC | 47 | 41 | 36 | 33 | 49 | 38 |
| Net weight change | kg | HD823MRⅢ | S.T.D | 400 | 700 | — | 900 | 1,500 |
| | | HD823MRⅢ-LC | S.T.D | 200 | 500 | 800 | 700 | 1,300 |

● Yellow colored area means standard.

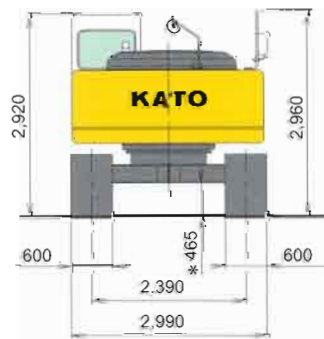
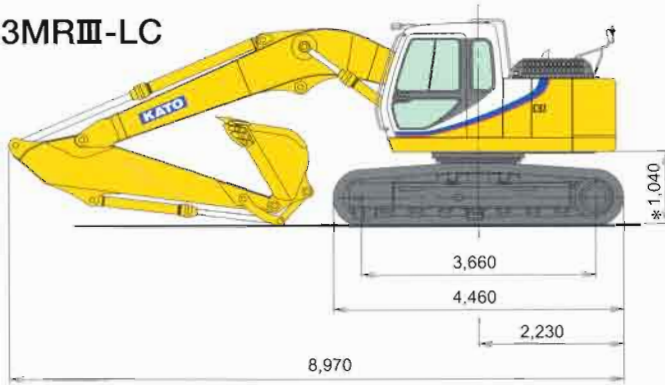
Dimensions

(Unit: mm)

HD823MRⅢ



HD823MRⅢ-LC



* Less grouser bar

General data

- Model name HD823MRⅢ
- Operating weight 22,000 kg: HD823MRⅢ /22,700 kg: HD823MRⅢ-LC
- Bucket capacity 0.45 ~ 1.1 m³ (ISO)
- Swing speed 13.5 min⁻¹
- Travel speed 5.5/3.6/2.5 km/h
- Bucket/arm digging force 136 kN/99 kN
{high-power mode: 144 kN/104 kN}
- Standard shoe width 600 mm
- Ground pressure 49 kPa: HD823MRⅢ /47 kPa: HD823MRⅢ-LC
- Engine model Mitsubishi 6D34-TLE2A, 4 cycle intercooler turbo-charged diesel engine
- Rated engine output 110 kW/2,050 min⁻¹
- Fuel tank capacity 320 L
- Hydraulic pump type Double variable piston pump and gear pump
- Set pressure 31.4 MPa/32.9 MPa Travel only
- Travel motor type Piston motor x 2
- Hydraulic oil tank capacity 260 L (level 165 L)

NOTE : Illustrations may include optional equipment. KATO products and specifications are subject to improvements and changes without notice.

Address inquiries to :



Specifications subject to change without notice

(1300 65 8888)

Website: www.btequipment.com.au



| | |
|-----------|---|
| BRISBANE | 10-14 Ashover Road, Rocklea. Qld 4106 |
| SYDNEY | 6 Ferngrove Place, South Granville. NSW 2142 |
| MELBOURNE | 80-86 Frankston-Dandenong Road, Dandenong. Vic 3175 |
| ADELAIDE | 908 Main North Road, Mawson Lakes. SA 5095 |
| PERTH | 50 Great Eastern Highway, South Guildford. WA 6055 |

| Phone | Fax |
|----------------|----------------|
| (07) 3373 6400 | (07) 3875 1680 |
| (02) 9780 7200 | (02) 9780 7290 |
| (03) 9554 0300 | (03) 9554 0398 |
| (08) 8262 8292 | (08) 8262 8320 |
| (08) 9478 0600 | (08) 9478 0688 |